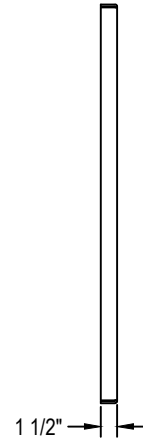
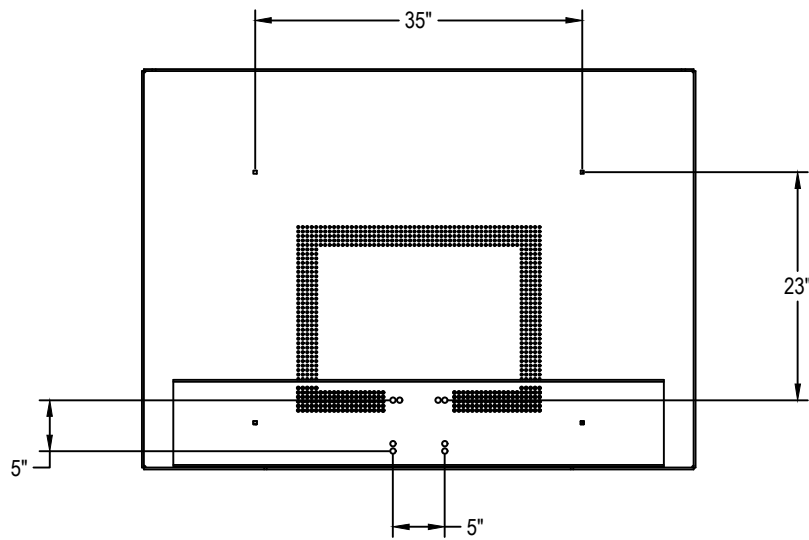


FRONT



SIDE



REAR

Backboard shall be constructed of 12 ga. steel and have a 39" x 54" rectangular playing surface. All edges shall be formed to provide a 1 1/2" minimum lip to provide additional backboard rigidity. An additional rear support channel shall be constructed of 10 ga. mild steel to provide additional support behind the rim. Backboard shall have a white polyester powder coated finish, perforated holes to provide a permanent official-sized shooting target and carry a minimum 10-year limited warranty. Installation to be completed in accordance to manufacturer's instructions. Do not scale drawings. Weigh approximately 110#.