

BA906 WALL STRUCTURE

Adjustable Height Shooting Station



Customer Service
(800) 247-7668

PARTS LIST

Item	Qty	Description	Item	Qty	Description
A	2	Wall Mount Rail	Q	8	7/16" Hex Nut
B	2	Crank Mount Strut	R	8	7/16" Lock Washer
C	4	Crank Mount Bracket	S	8	7/16" Flat Washer
D	2	Top Extension Tube	T	4	1/2" X 3" Hex Bolt
E	2	Bottom Extension Tube	U	2	1/2" X 5" Hex Bolt
F	1	Crank	V	6	1/2" Lock Nut
G	1	Crank Handle	W	4	5/8" X 6 1/2" Hex Bolt
H	2	Wall Board	X	4	5/8" Lock Nut
I	8	3/8" X 2 1/2" Flange Elevator Bolt	Y	1	Goal and Net (packaged separately)
J	4	Backboard Mounting Hinge	Z	1	Backboard (packaged separately)
K	8	3/8" X 3" Hex Bolt	AA	6	Wall Mount Anchors (supplied by installer)
L	8	3/8" X 2 1/2" Hex Bolt	AB	1	Height Gauge
M	24	3/8" Hex Nut	AC	1	Pointer
N	24	3/8" Lock Washer	AD	2	1/4" X 2 1/2" Hex Bolt
O	8	3/8" Flat Washer	AE	3	1/4" Flange Nut
P	8	7/16" X 1" Carriage Bolt			

Warning!

Wall mount structures require an acceptable wall mounting surface. Brick, block, or poured concrete walls are superior. It is inadvisable to mount structures to walls with wood or steel studs unless additional work approved by a structural engineer is done to provide additional support. Bison does not provide wall anchors with any structure. The purchaser assumes liability for the installation of any wall mounting structures. Consult a professional architect, engineer or contractor to determine safe methods of installation to your facility's wall construction.

- ◆ Inspect all contents prior to installation. Report any missing parts to dealer immediately. Read all instructions before proceeding.

Note!

All assembly materials are supplied except hardware to attach the wall board to the customer's wall. Attachment method and type of anchors used are the responsibility of the installer.

Warning!

Severe injury to players or fans may result from failure to select a proper anchoring system given the construction and condition of the wall or the improper use of the proper anchoring system

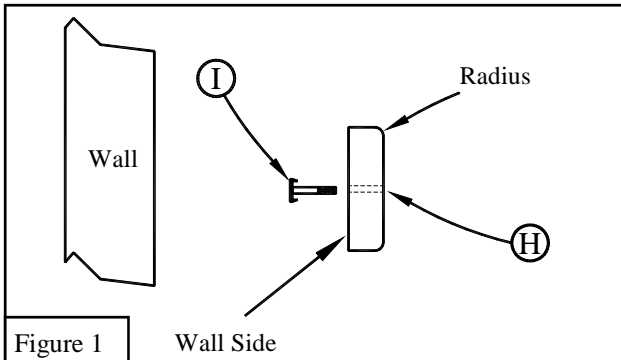


Figure 1

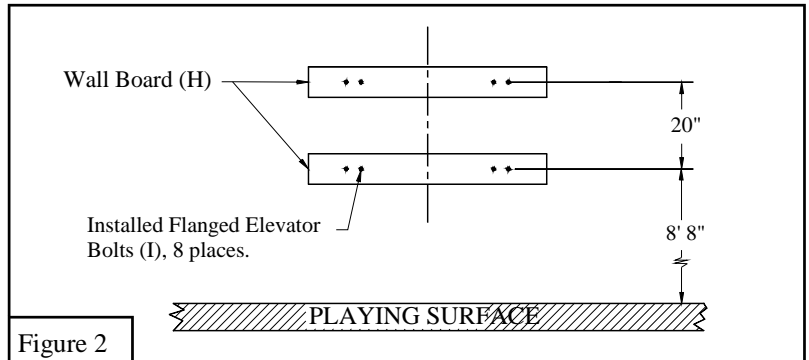


Figure 2

1. Install the *Flange Elevator Bolts* (I) into the backside of the *Wall Boards* (H). Use a hammer to seat bolts into the hole. See Figure 1.
2. Locate the proper location on the wall to mount the *Wall Boards* (H). Take into consideration that the distance from the wall to the face of the backboard is 32" at 10' and 39" at 8' rim height. See Figures 2 and 6.
3. Attach bottom *Wall Board* (H) exactly 8' 8" from playing surface to centerline of *Flange Elevator Bolts* (I). Make sure *Wall Board* (H) is level and centered on your playing surface. Attach top *Wall Board* (H) with exactly 20" between *Flange Elevator Bolts* (I). Use anchors (provided by installer) that are best suited for the type of wall being attached to. Attach each board in at least 3 places. See Figure 2.
4. Install one *Crank Mount Strut* (B) to the two *Wall Mount Rails* (A) with $3/8"$ X $2\ 1/2"$ *Hex Bolts* (L), $3/8"$ *Lock Washers* (N) and $3/8"$ *Hex Nuts* (M). See Figure 3.
5. Attach two *Crank Mount Brackets* (C) to the *Crank Mount Strut* (B) using the $3/8"$ X $3"$ *Hex Bolts* (K), $3/8"$ *Lock Washers* (N) and $3/8"$ *Hex Nuts* (M). See Figure 3.
6. Mount the frame assembly from instructions #4 and #5 above to the *Wall Boards* (H). Position over previously installed *Flange Elevator Bolts* (I), use $3/8"$ *Flat Washers* (O), $3/8"$ *Lock Washers* (N) and $3/8"$ *Hex Nuts* (M). Make sure that the assembly is mounted with the *Crank Mount Strut* (B) closest to the ground. See Figure 3.

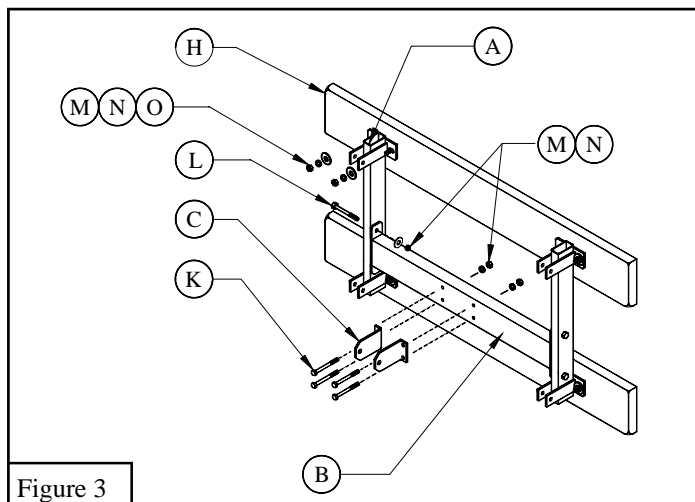


Figure 3

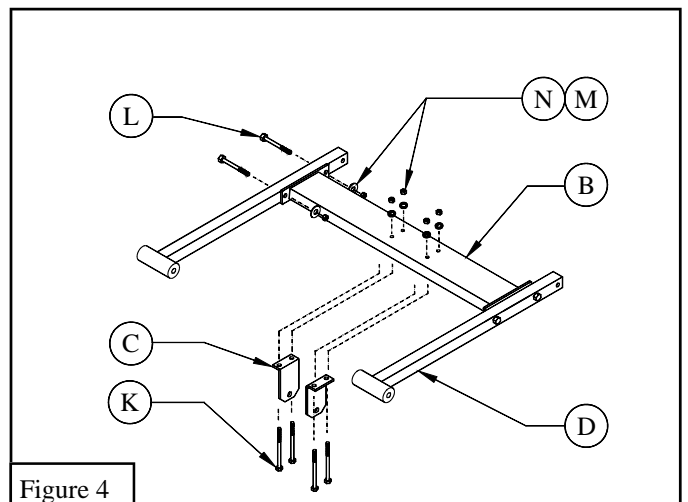


Figure 4

7. Attach the second *Crank Mount Strut* (B) to the two *Top Extension Tubes* (D) (The top extension tubes have the extra mount holes absent in the bottom extension tubes) with the $3/8$ " X $2\ 1/2$ " *Hex Bolts* (L), $3/8$ " *Lock Washers* (N) and $3/8$ " *Hex Nuts* (M). Install two *Crank Mount Brackets* (C) to the *Crank Mount Strut* (B) using the $3/8$ " X 3 " *Hex Bolts* (K), $3/8$ " *Lock Washers* (N) and $3/8$ " *Hex Nuts* (M). Tighten all hardware. See Figure 4.
8. Attach top extension tube assembly from instruction #7, figure 4 to the *Wall Mount Rails* (A) using the $1/2$ " X 3 " *Hex Bolts* (T) and $1/2$ " *Lock Nuts* (V). Attach both *Bottom Extension Tubes* (E) to the *Wall Mount Rails* (A) using the $1/2$ " X 3 " *Hex Bolts* (T) and $1/2$ " *Lock Nuts* (V). Tighten all hardware then loosen $1/4$ of a turn or until each assembly pivots freely up and down. See Figure 5.
9. Install *Crank* (F) to the *Crank Mount Brackets* (C) using the $1/2$ " X 5 " *Hex Bolts* (U) and $1/2$ " *Lock Nuts* (V). Position the *Crank* (F) so that the lower mounting tube on the crank is toward the wall. You may need to loosen the *Crank Mount Bracket* (C) hardware to allow for proper *Crank* (F) mounting. Be sure to retighten the *Crank Mount Bracket* (C) hardware. Tighten crank mount hardware then loosen $1/4$ of a turn or until *Crank* (F) moves freely. See Figure 5.
10. Install one *Backboard Mounting Hinge* (J) to the pivot on each extension tube using the $5/8$ " X $6\ 1/2$ " *Hex Bolts* (W) and $5/8$ " *Lock Nuts* (X). Tighten all hardware then loosen $1/4$ of a turn or until each assembly pivots freely up and down. See Figure 5.

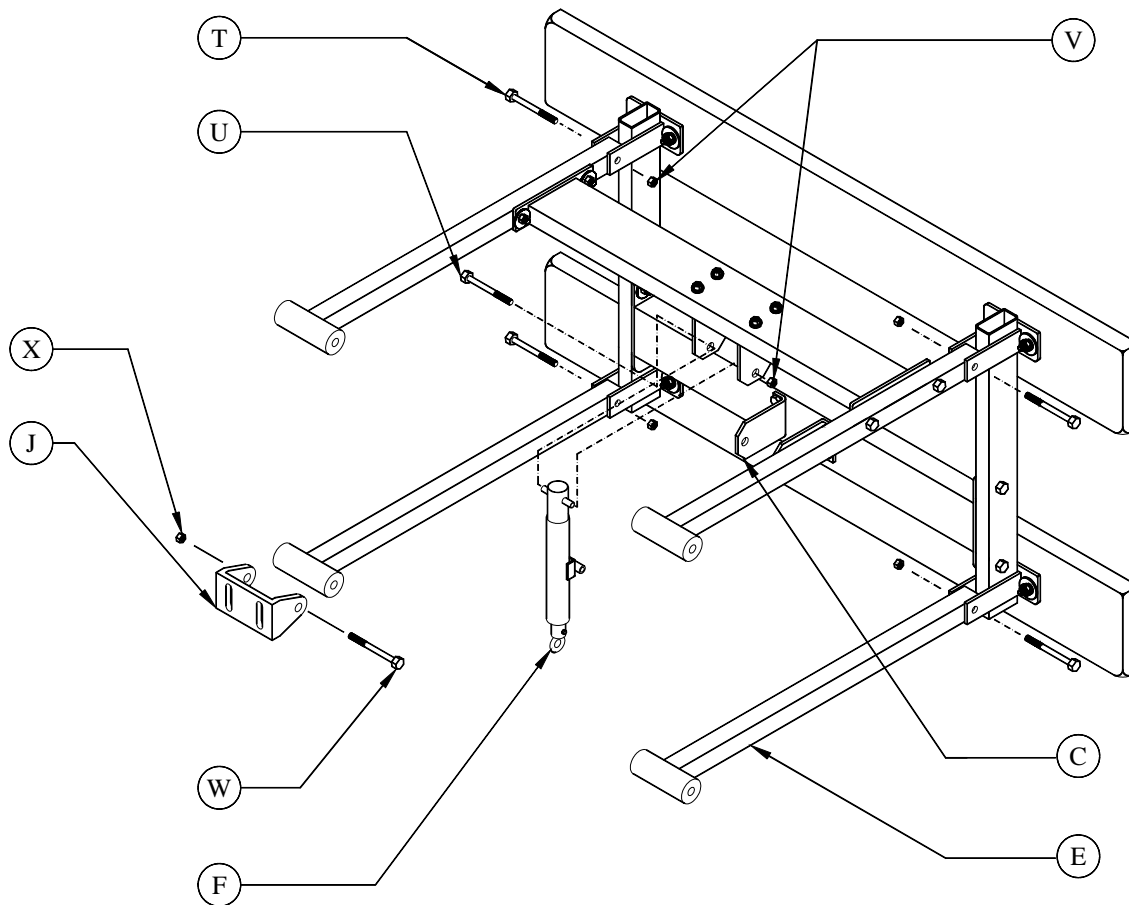
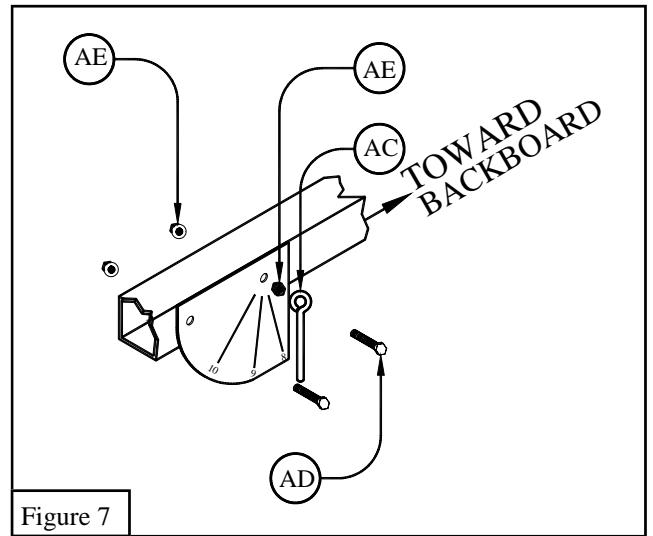
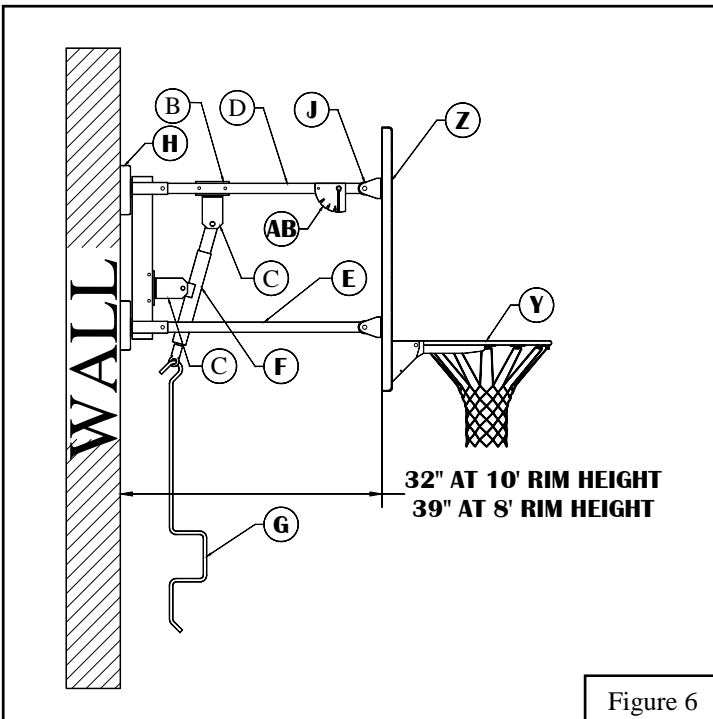


Figure 5

11. Install *Backboard (Z)* to the *Backboard Mounting Hinges (J)* using $7/16'' \times 1''$ *Carriage Bolts (P)*, $7/16''$ *Flat Washers (S)*, $7/16''$ *Lock Washers (R)* and $7/16''$ *Hex Nuts (Q)*. The head of the bolts should be placed in the slot in the backboard mounting brackets. Tighten all hardware once *Backboard (Z)* is centered and level. See Figure 6.
12. Install *Goal and Net (Y)* using the hardware provided in that package. Level as needed.
13. Install the *Height Gauge (AB)* to the *Extension Tube (D)* that is on the left side as you face the wall. Use one $1/4'' \times 2 1/2''$ *Hex Bolt (AD)* and $1/4''$ *Flange Nut (AE)* in the mounting hole closest to the wall. Slide the *Pointer (AC)* onto the other $1/4'' \times 2 1/2''$ *Hex Bolt (AD)* and install one $1/4''$ *Flange Nut (AE)* against the pointer with just enough clearance to let the pointer rotate freely on the bolt. Pass this assembly through the remaining hole in the height gauge and extension tube and install the final $1/4''$ *Flange Nut (AE)*. You must tighten the two $1/4''$ *Flange Nuts (AE)* against each other to lock this assembly in place. The *Pointer (AC)* must rotate freely on the $1/4'' \times 2 1/2''$ *Hex Bolt (AD)* once installed to accurately indicate your system height. See Figure 7.



Warning!
This system is not intended to support hanging from any part of the structure or goal.

Warning!
The crank handle poses a safety risk if left hanging from the crank.
Please remove and store before playing.

Warning!
Young players are at risk when they slam dunk on popular lowered height basketball systems.
PLEASE take responsibility for controlling dangerous activity.