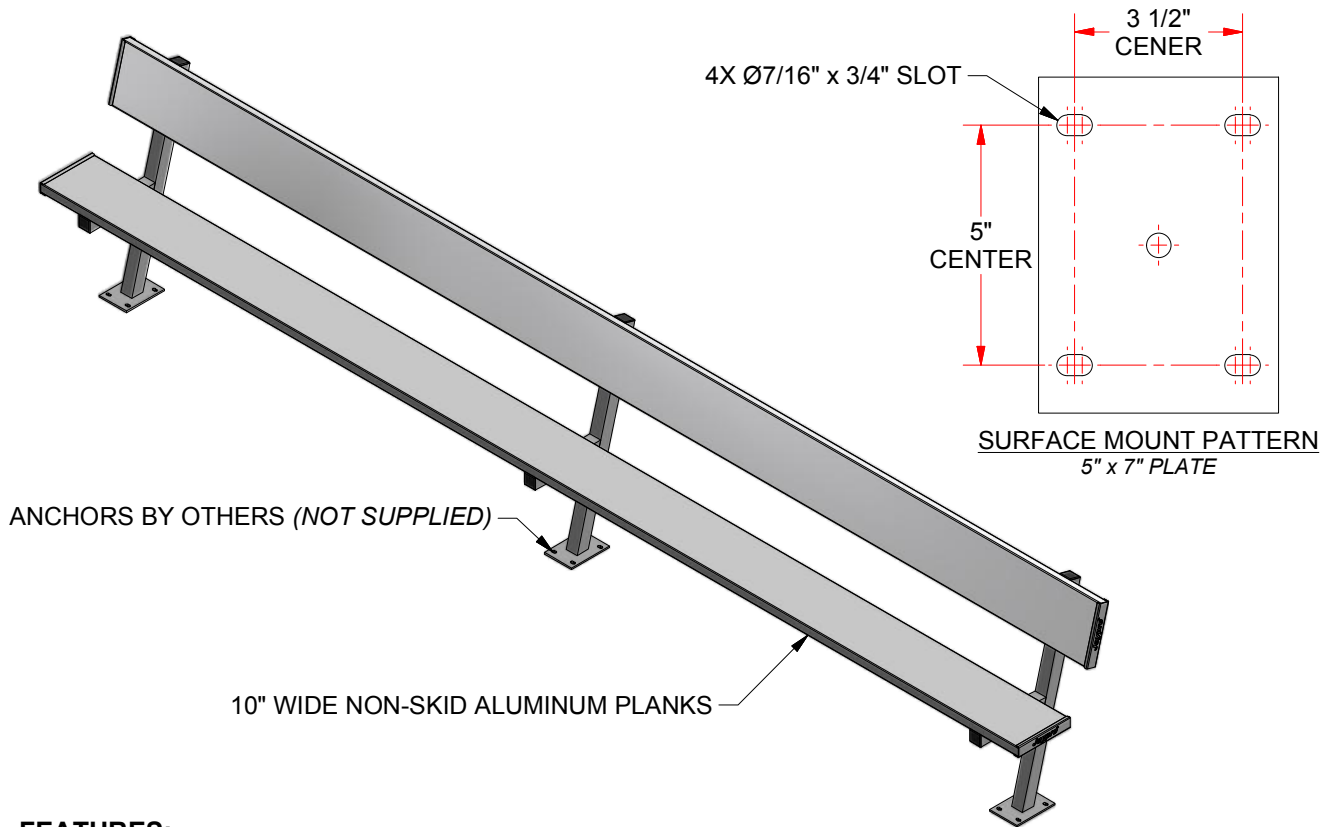




PB-20SM 15' SURFACE MOUNT PLAYERS BENCH W/ BACK REST



FEATURES:

- 10" WIDE NON-SKID ALUMINUM PLANKS
- 2" x 2" HEAVY DUTY GALVANIZED STEEL LEGS FOR SUPERIOR RUST RESISTANCE
- PLANKS ARE SUPPORTED BY A STRONG, GALVANIZED STEEL UNDERSTRUCTURE
- PLAYER BENCH WITH BACK REST
- SEAT PLANK IS 18" FROM GROUND
- SURFACE MOUNT READY FOR WIDE VARIATIONS IN FLOOR CONSTRUCTION

OPTIONS:

- CUSTOM POWDER COATED COLORS

