



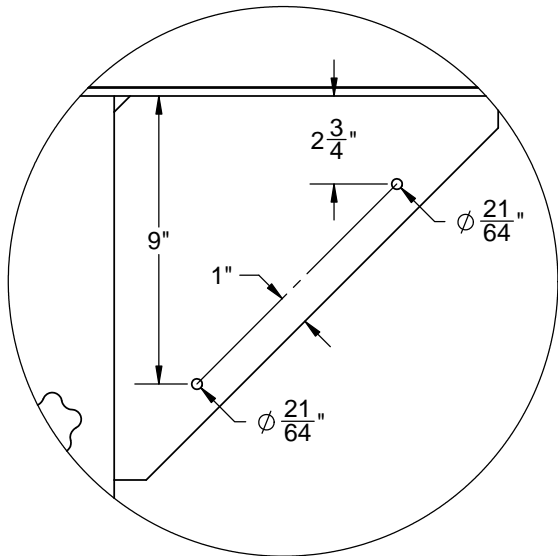
www.gillathletics.com
800-637-3090

730145B - ALUMINUM WATER JUMP BARRIER SEAL INSTRUCTIONS

Tools Required:

- 1/2" Wrench or Socket
- Drill
- 21/64" Drill Bit
- Two Adults

First, mark and drill holes in both gussets as shown below.

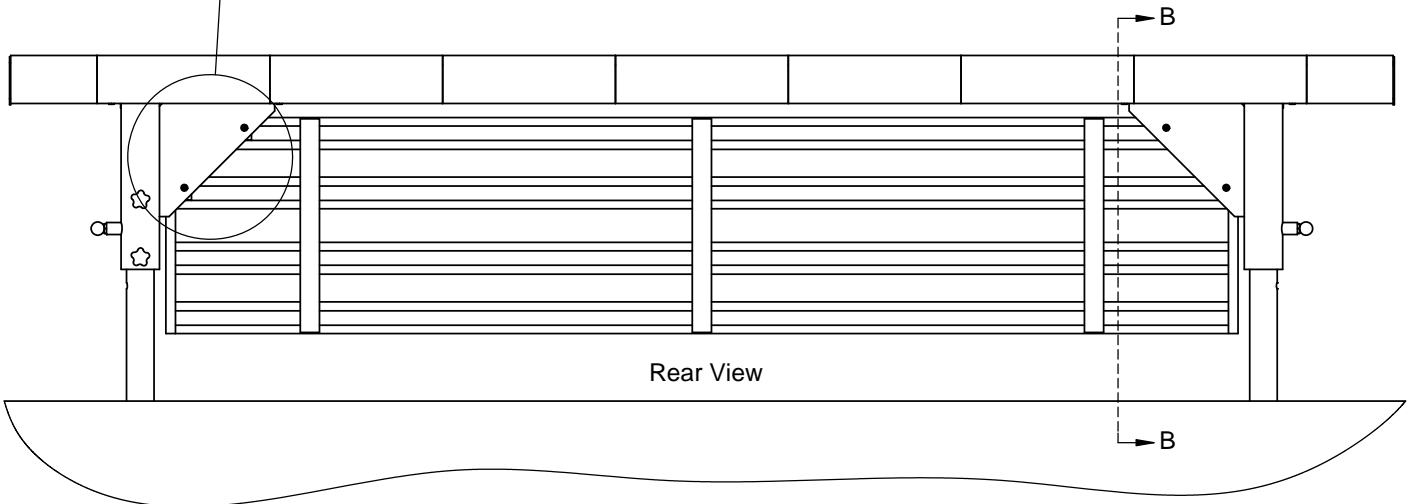
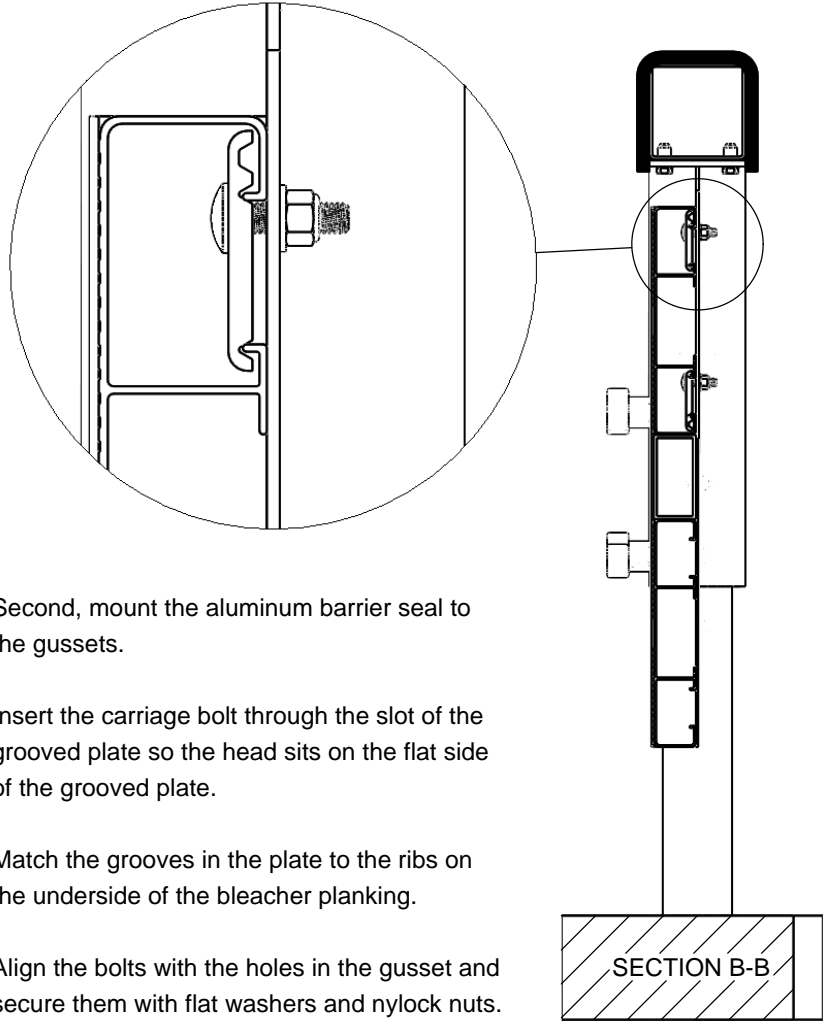


Second, mount the aluminum barrier seal to the gussets.

Insert the carriage bolt through the slot of the grooved plate so the head sits on the flat side of the grooved plate.

Match the grooves in the plate to the ribs on the underside of the bleacher planking.

Align the bolts with the holes in the gusset and secure them with flat washers and nylock nuts.



Rear View

suggestions@gillathletics.com

Copyright © 2013 by Gill Athletics.
All rights reserved.

THIS WARNING IS GIVEN IN COMPLIANCE WITH CALIFORNIA'S PROPOSITION 65:
WARNING
This product contains chemicals known to the State of California to cause cancer, birth defects or other reproductive harm.