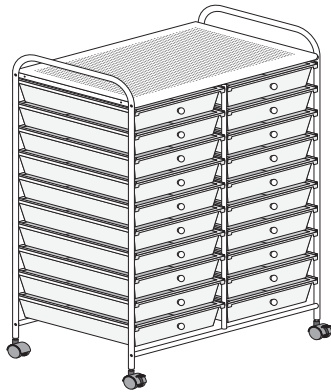


## 20 Drawer Mobile Organizer Model# ELR-011-A



### **WARNING:**

#### Adult Assembly Required.

Two adults recommended.


- Contains small parts, sharp points and edges.
- Do not stand, sit, kneel, climb, lean or pull on unit for support.
- Never leave children unattended.
- Do not place unit near high heat or moisture.
- Adult supervision recommended.

#### **TOOLS INCLUDED**

-  Hex Tool (1)



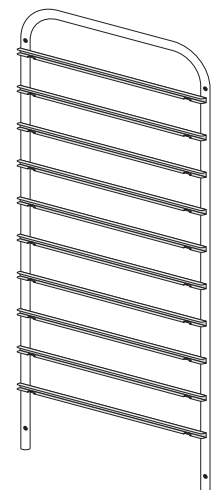
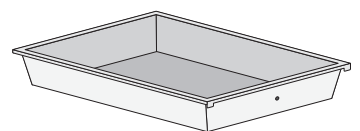
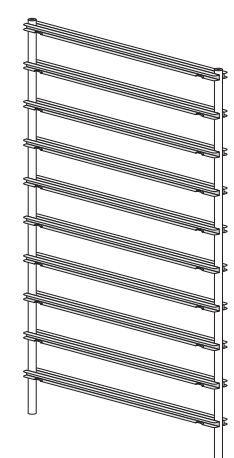
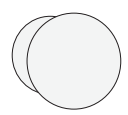

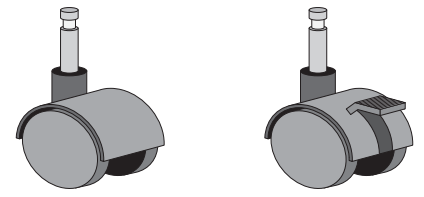
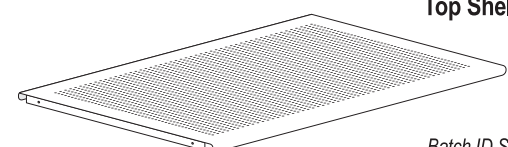


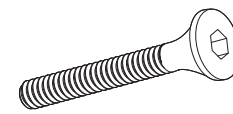
#### **TOOLS NEEDED**

-  Phillips Screwdriver



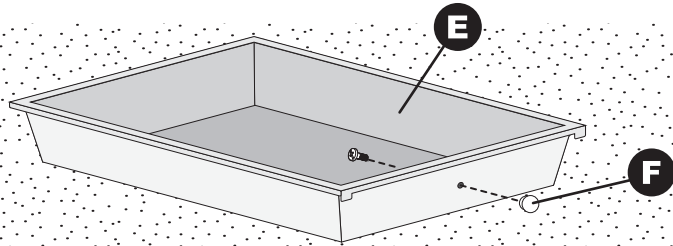
# Parts List

BEFORE ASSEMBLING, MAKE SURE YOU HAVE ALL THE PARTS

<b>A</b>  <p>Side Frames (2)</p>	<b>E</b>  <p>Drawers (20)</p>
<b>B</b>  <p>Middle Frame (1)</p>	<b>F</b>  <p>Knobs (20)</p>
<b>C</b>  <p>Crossbars (4)</p>	<b>G</b>  <p>Casters &amp; Locking Casters (2/2)</p> <p>G1                      G2</p>
<b>D</b>  <p>Top Shelf (1)</p> <p><i>Batch ID Sticker located on underside</i></p>	<b>H</b>  <p>Curved Washers (8)</p>
<b>I</b>  <p>Hex Screws (12)</p>	<b>J</b>  <p>Phillips Screws (20)</p> <p><i>Use the Hex Tool</i></p> <p><i>Use a Phillips Screwdriver</i></p>

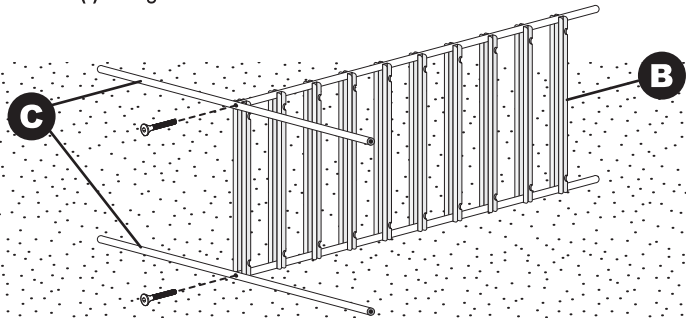
# 1 Install the Knobs onto Drawers

Install the **Knobs (F)** onto the **Drawers (E)** with the **Phillips Screws (J)** using a Phillips screwdriver.



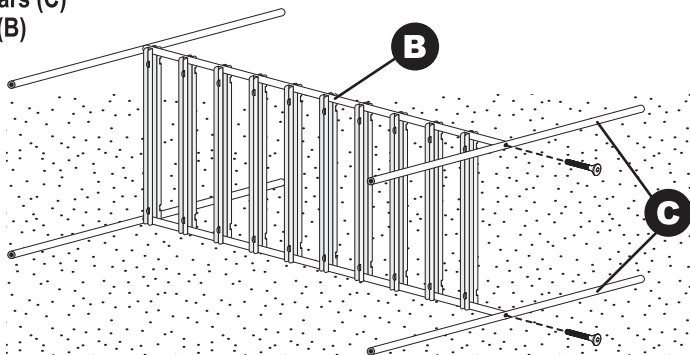
# 2 Install Upper Crossbars to Middle Divider

Install the upper **Crossbars (C)** onto the **Middle Frame (B)** with two **Hex Screws (I)** using the Hex tool.



# 3 Install Lower Crossbars to Middle Divider

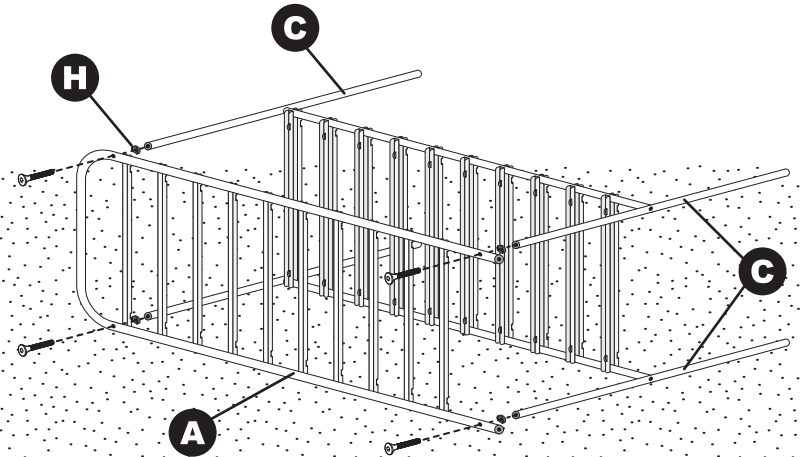
Install the lower **Crossbars (C)** onto the **Middle Frame (B)** with two **Hex Screws (I)** using the Hex tool.



# 4 Install the Left Side Frame

Install the **Left Side Frame (A)** onto the **Upper/Lower Crossbars (C)** with four **Hex Screws (I)** using the Hex tool. Add four **Curved Plastic Washers (H)** in between the Crossbars and Side Frame (with the flat side toward the crossbar and the curved edge matching the side frame curve).

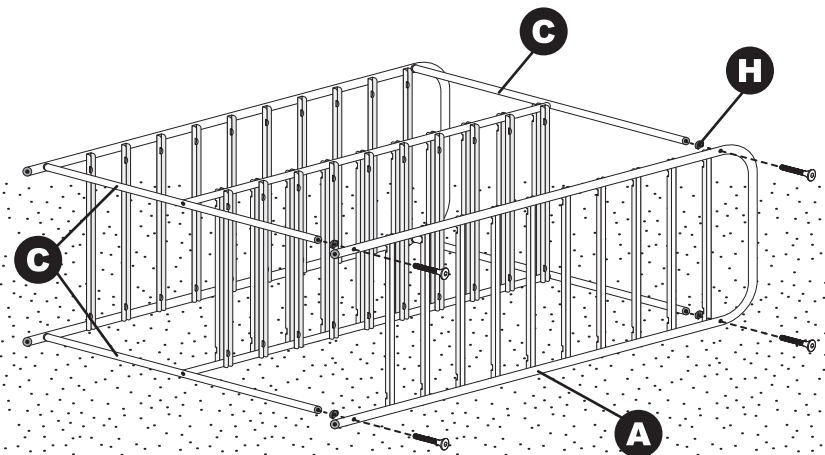
*Note: Making sure that the drawer rails are facing and align with each other.*



# 5 Install the Right Side Frame

Install the **Right Side Frame (A)** onto the **Upper/Lower Crossbars (C)** with four **Hex Screws (I)** using the Hex tool. Add four **Curved Plastic Washers (H)** in between the Crossbars and Side Frame (with the flat side toward the crossbar and the curved edge matching the side frame curve).

*Note: Making sure that the drawer rails are facing and align with each other.*

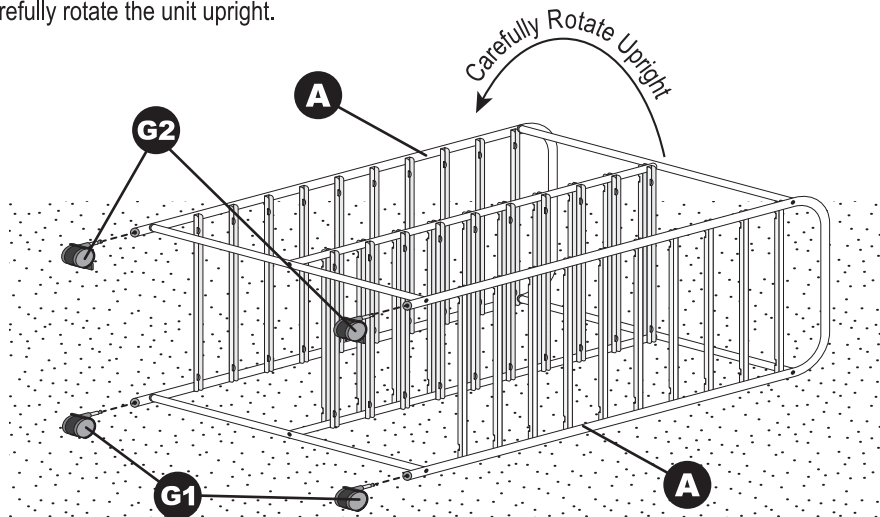


## 6 Insert the Casters into the Side Frames

Insert the **Casters & Locking Casters (G1/G2)** into the ends of the **Side Frames (A)** until they click into place.

*Tip: Cart is symmetrical, place both Locking casters on the same long side.*

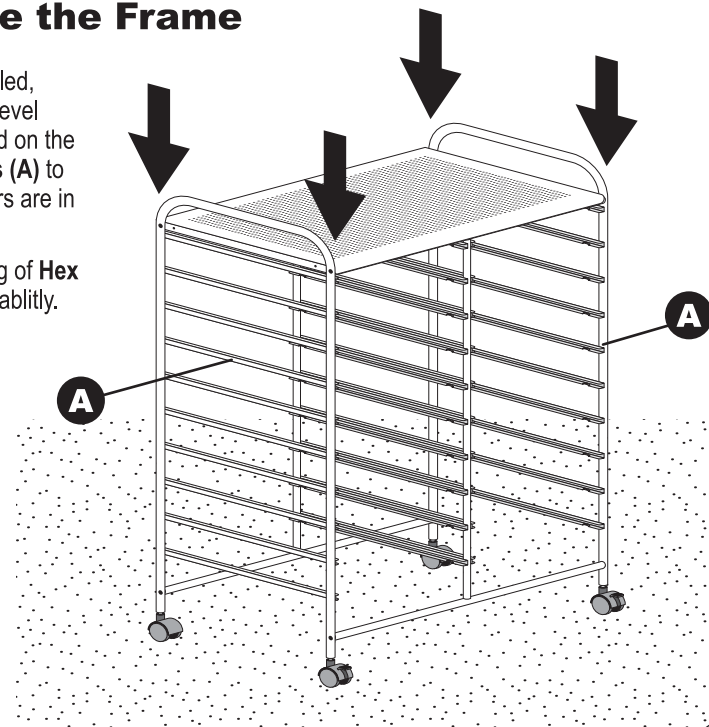
Carefully rotate the unit upright.



## 8 Square the Frame

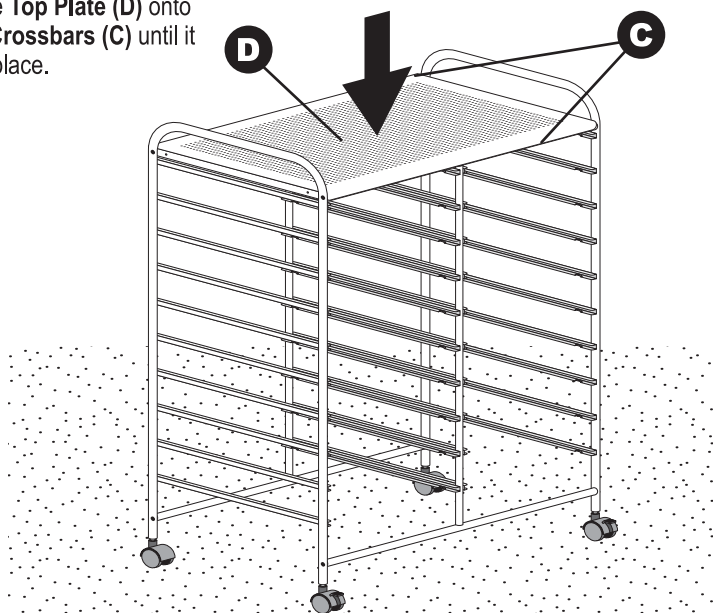
With the **Top Plate** installed, place the cart on a firm level surface, press downward on the tops of the **Side Frames (A)** to make sure that all casters are in contact with the surface.

Perform a final tightening of **Hex Screws (H)** to ensure stability.



## 7 Connect the Top Shelf onto Crossbars

Connect the **Top Plate (D)** onto the Upper **Crossbars (C)** until it snaps into place.

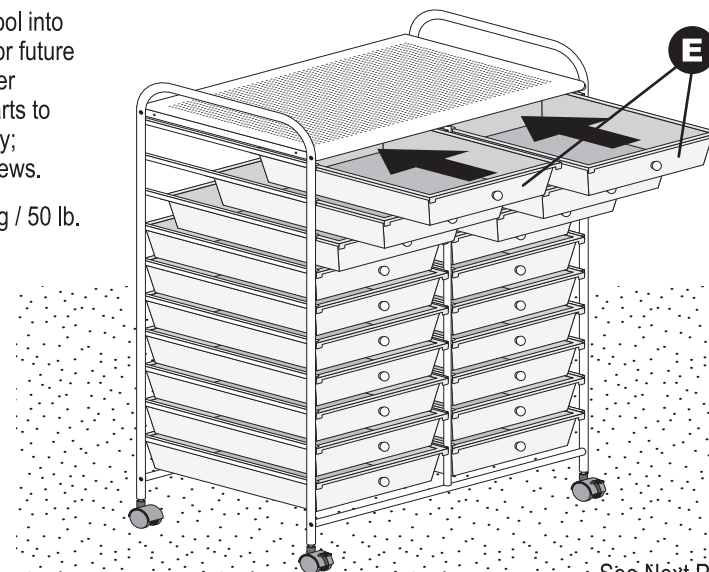


## 9 Insert the Drawers into the Rails

Place the **Drawers (E)** into the drawer rails with the upper lip of the drawers inside of the rails, make sure that each drawer is properly placed into the rails, so they slide back and forth smoothly.

Tape or place Hex Tool into one of the drawers for future use. If your 20 Drawer Mobile Organizer starts to wobble, lean, or sway; re-tighten all hex screws.

Cart capacity is 23 kg / 50 lb.



See Next Page

