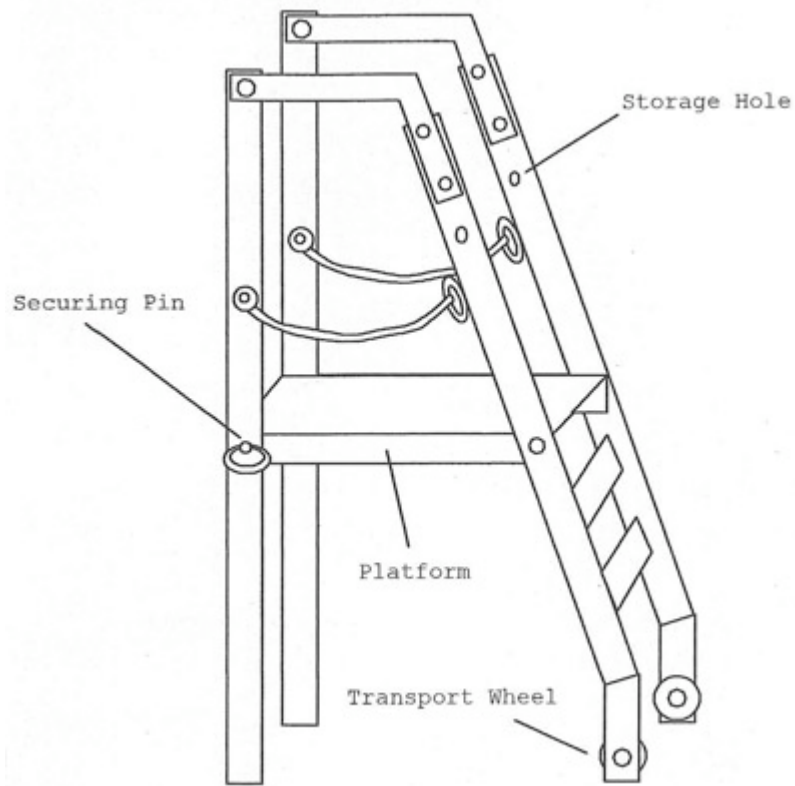


## SturdiStand Judges Platform Assembly Instructions



### Bill of Materials

- (1) SturdiStand Assembly
- (2) Securing Pin
- (1) Safety Padding

1. Remove SturdiStand assembly from packaging.
2. Stand unit upright careful not to allow PLATFORM to fall.
3. Lower PLATFORM to horizontal position and secure using the SECURING PINS as shown above.
4. Attach SAFETY PADDING to STURDISTAND using velcro straps.
5. To roll, simply pitch unit backward until TRANSPORT WHEELS contact floor. Roll into place and stand unit upright.
6. To store unit, remove SAFETY PADDING.
7. Hinge PLATFORM upward until PLATFORM holes line up with STORAGE HOLES. Pin PLATFORM in place at STORAGE HOLES.

8. Fold unit and pitch backward until TRANSPORT WHEELS contact floor. Reverse these steps for set up.