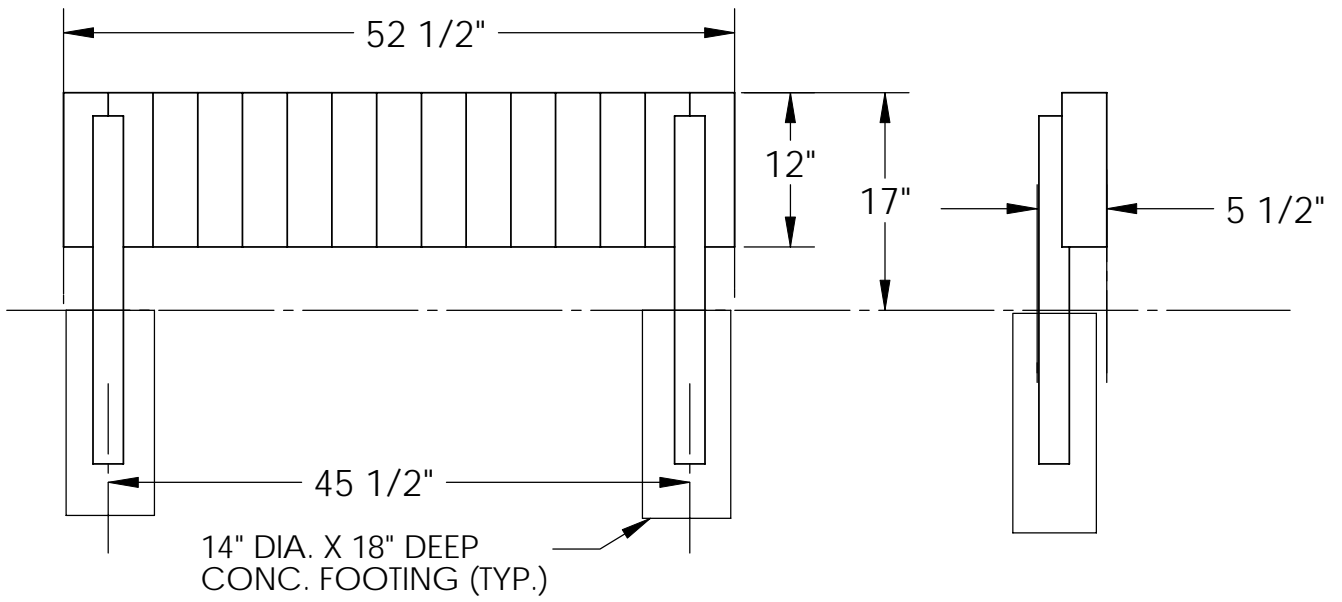
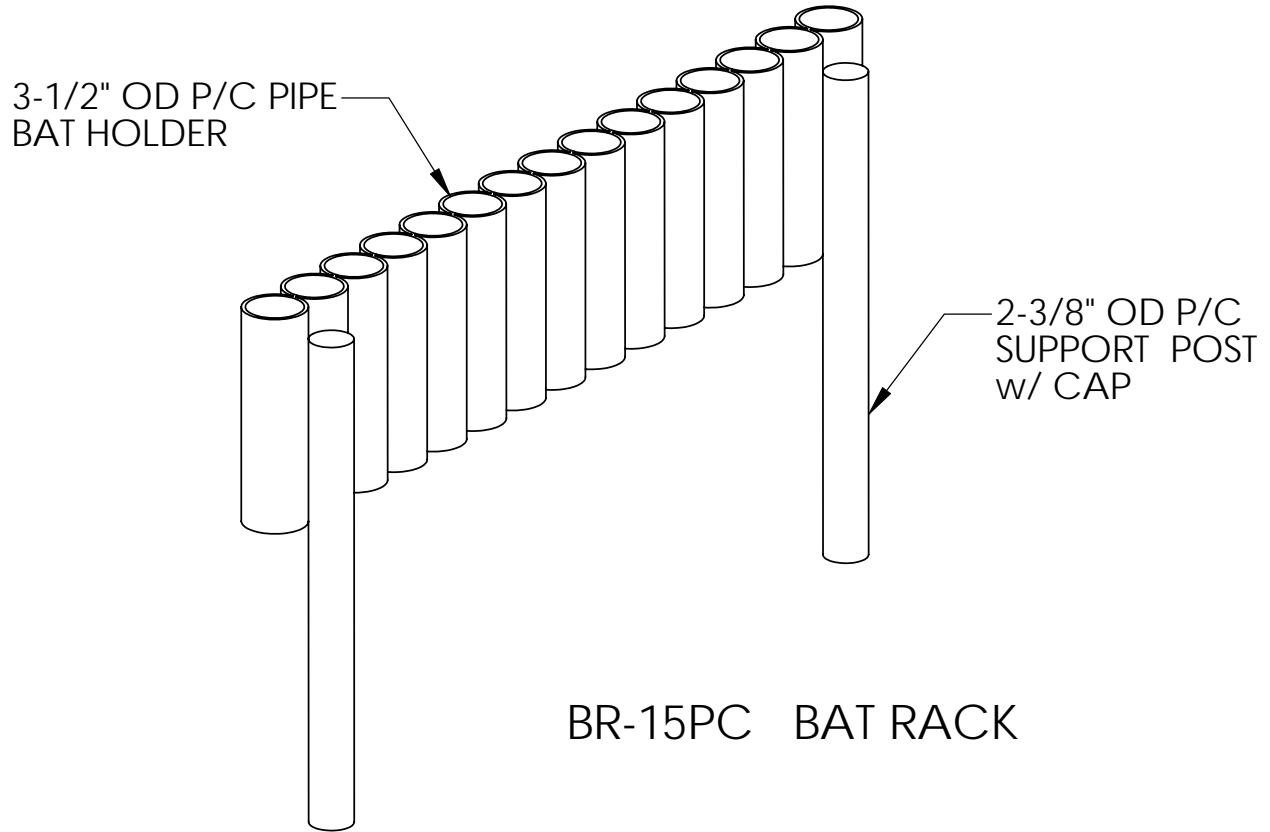


DO NOT SCALE DRAWING



NOTE: SPECIFICATIONS ARE SUBJECT TO CHANGE