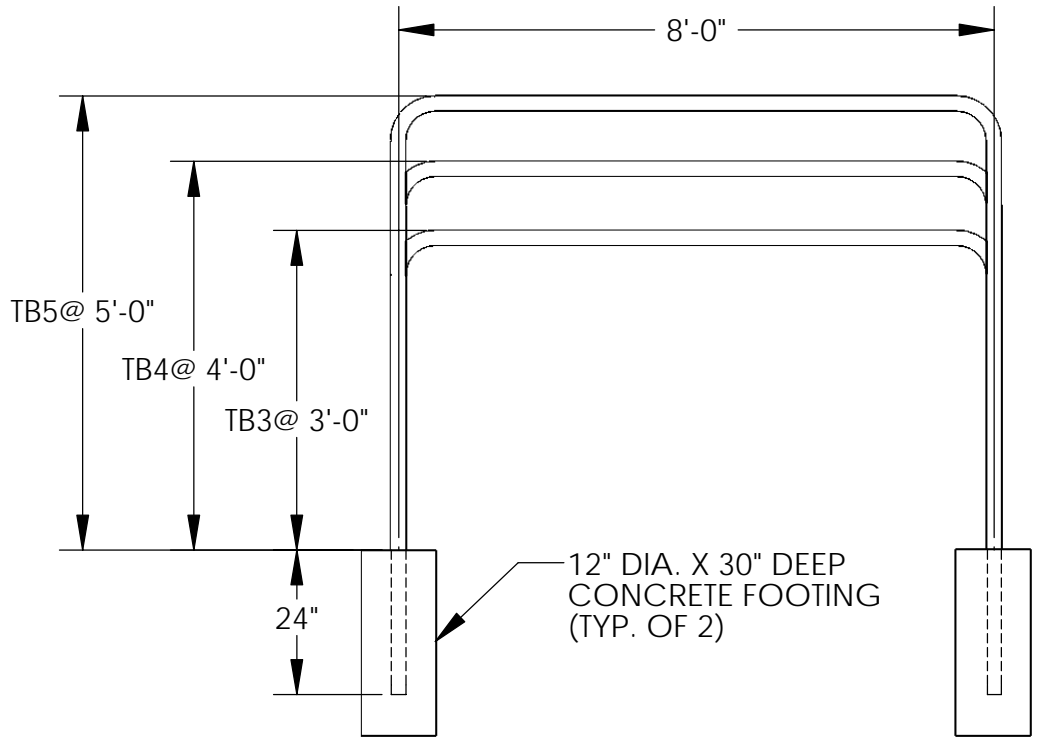
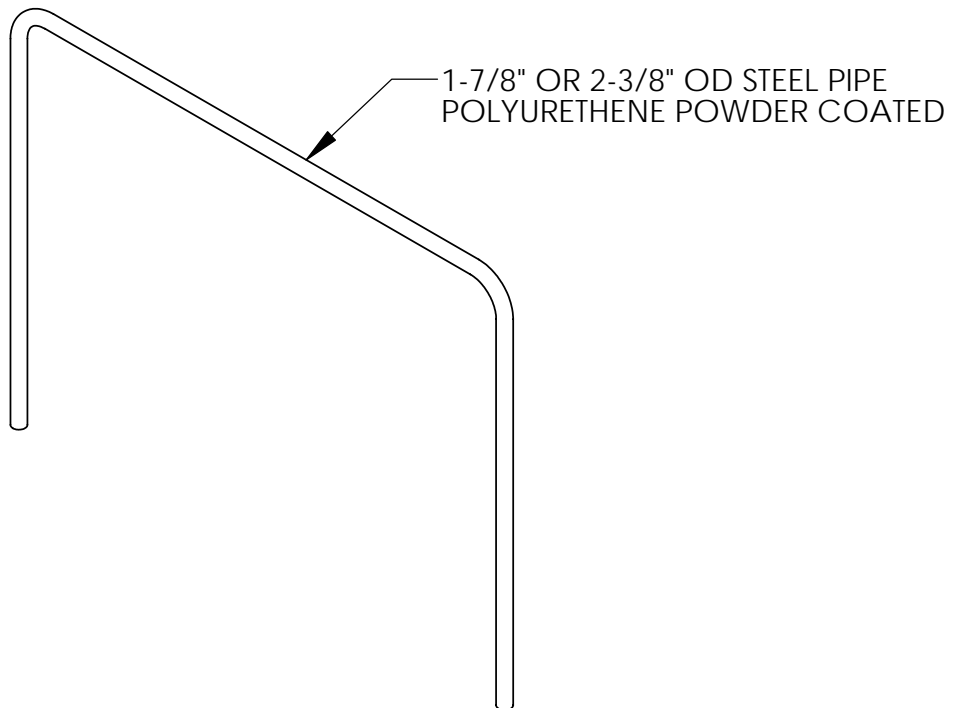


MODEL  
TB3, TB4, TB5  
TURNING BAR



ELEVATION VIEW

NOTE: SPECIFICATIONS ARE SUBJECT TO CHANGE

DO NOT SCALE DRAWING

DATE: 2/23/08

DRAWN BY: AFS